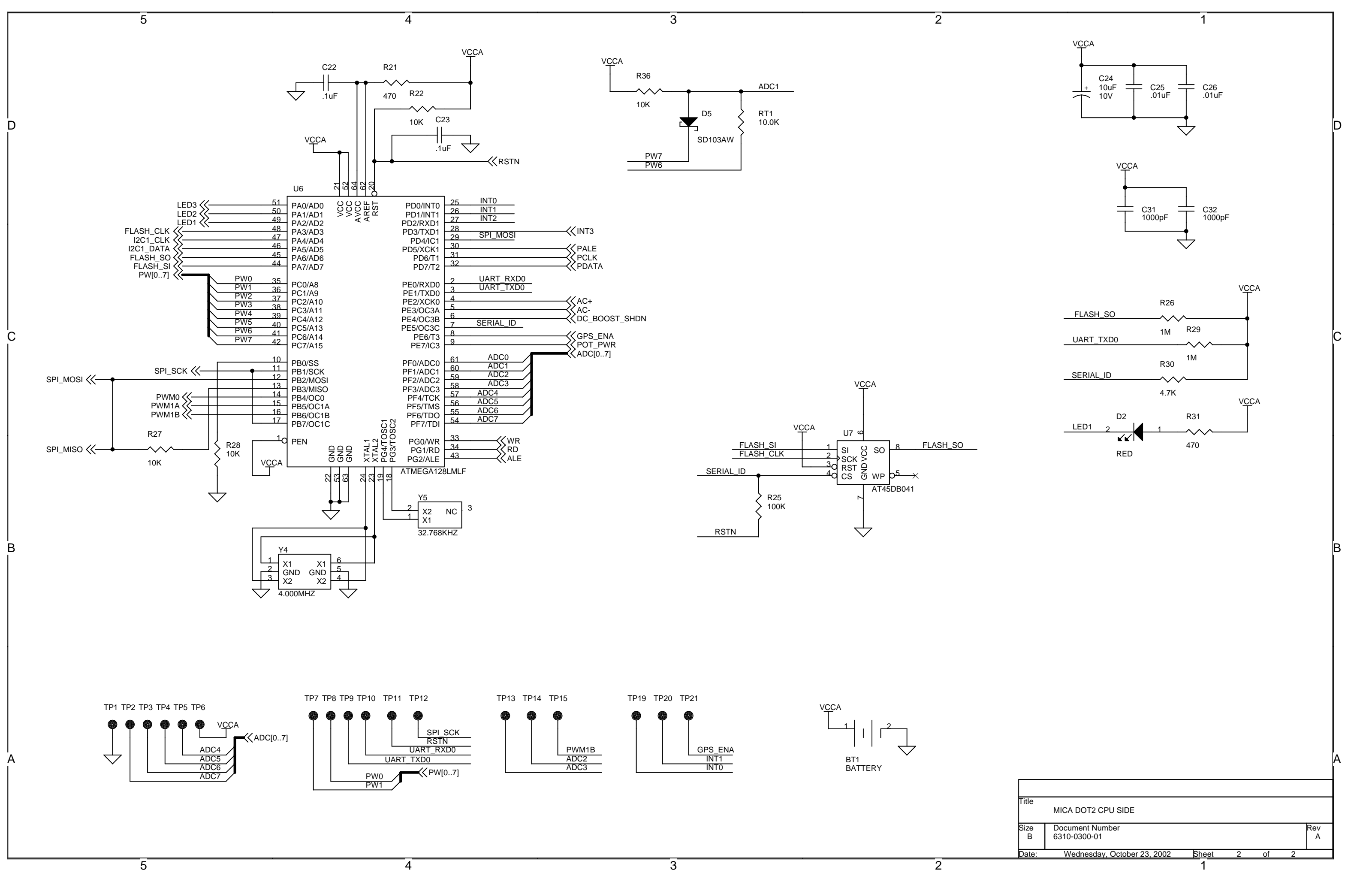


Title		
MICA DOT2 RADIO SIDE		
Size	Document Number	Rev
B	6310-0300-01	A
Date:	Wednesday, October 23, 2002	Sheet 1 of 2



Title		
MICA DOT2 CPU SIDE		
Size	Document Number	Rev
B	6310-0300-01	A
Date:	Wednesday, October 23, 2002	Sheet 2 of 2