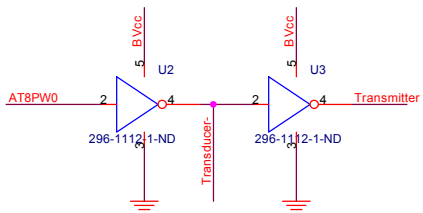
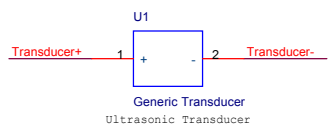


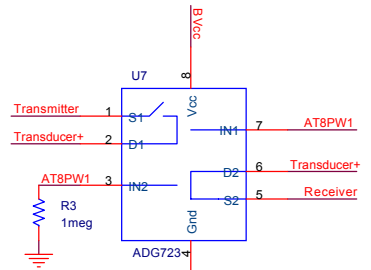
Ultrasound Transmitter Circuit



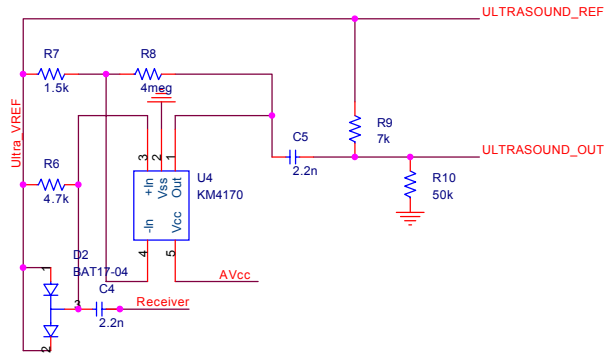
Ultrasonic Transducer



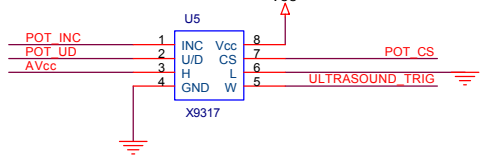
Ultrasound TX/RX Switch



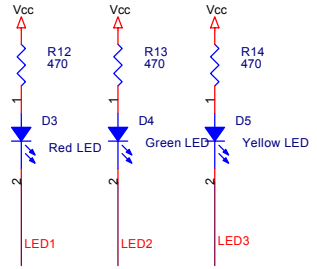
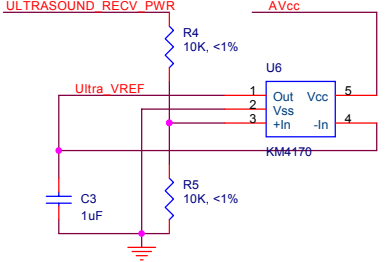
Ultrasound Receiver Circuit



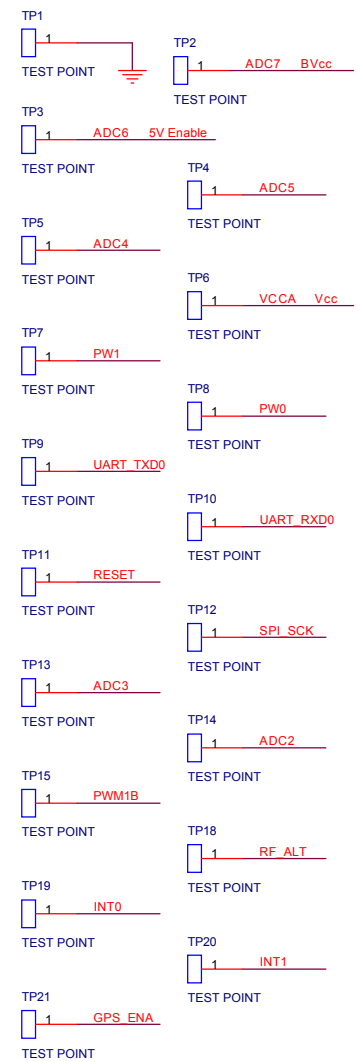
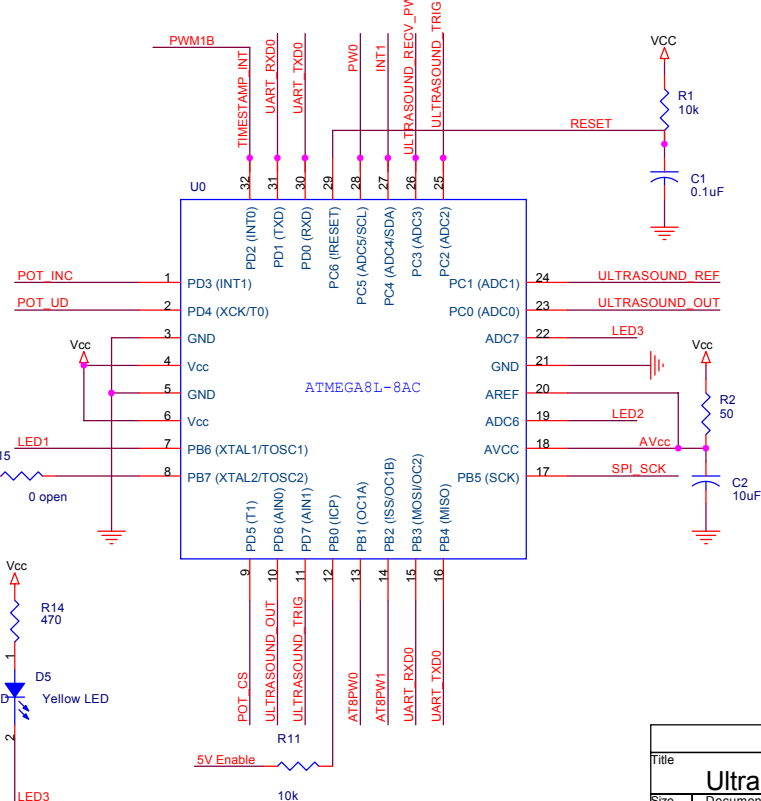
Comparator Trigger Reference



Virtual Ground



ATmega8 Microprocessor



Title		Ultrahexreceive: Ultrasound ranging	
Size	Document Number	Fred Jiang & Kamin Whitehouse & Joe Polastre	
B	Date:	Sunday, May 11, 2003	Sheet 1 of 1