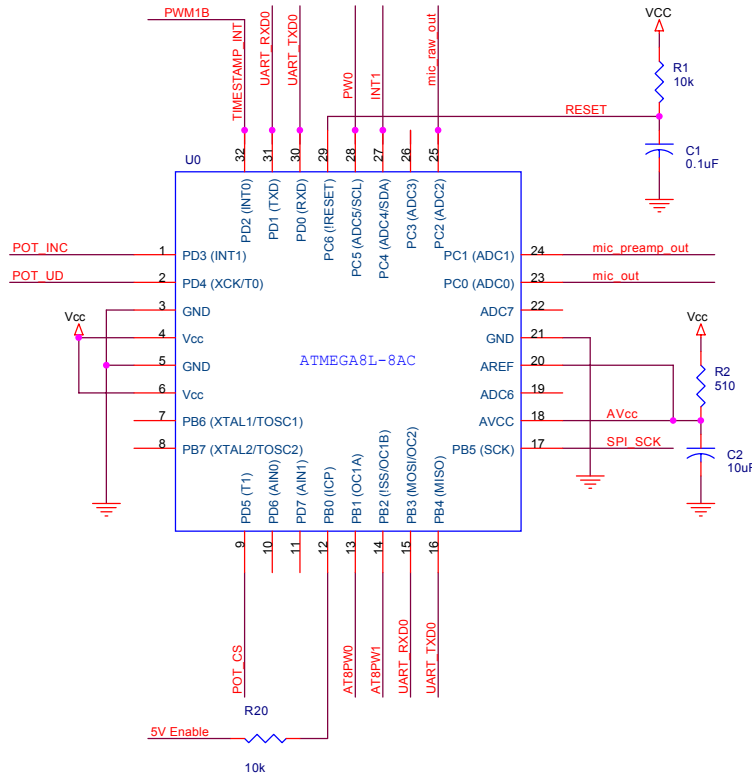
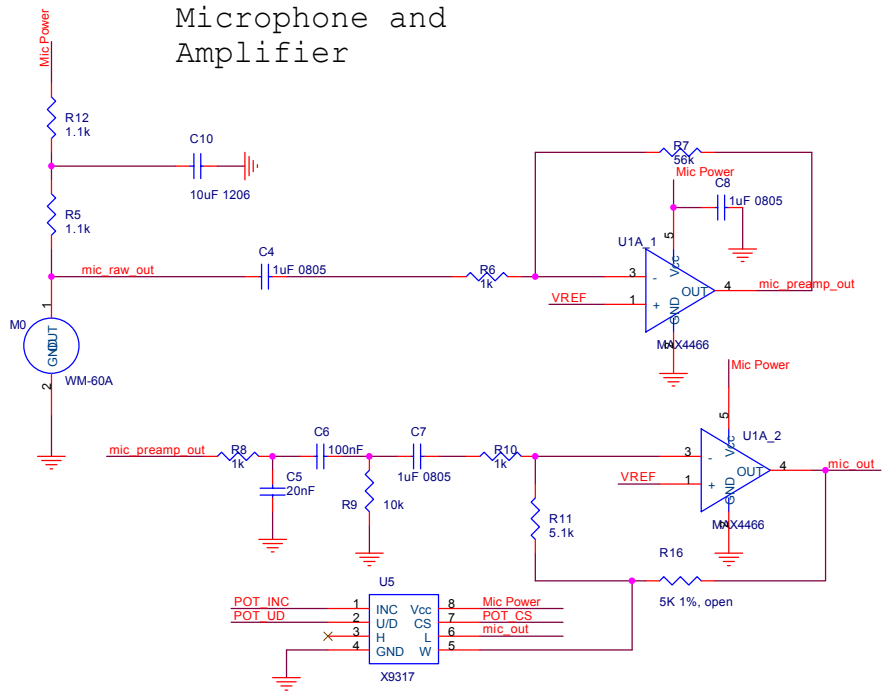


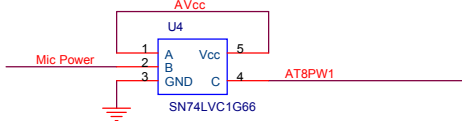
ATmega8 Microprocessor



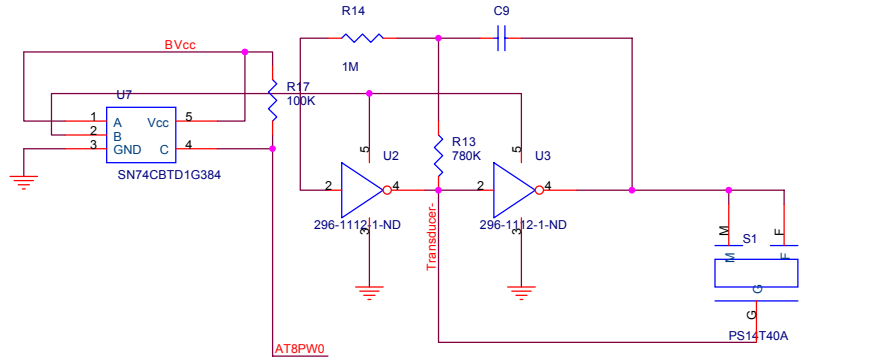
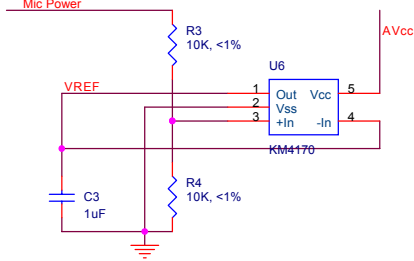
Microphone and Amplifier



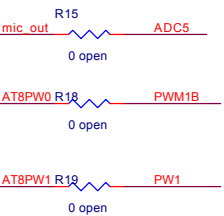
Microphone Power Switch



Virtual Ground



Note: R15, R16, R18 and R19 should be populated when the board is used without ATmega8 and digital potentiometer



Title			
SounderBoard: Acoustic Ranging			
Size	Document Number		Rev
B	Alec Woo, Robert Szweczyk		<Rev
Date:	Monday, April 28, 2003	Sheet	1 of 1