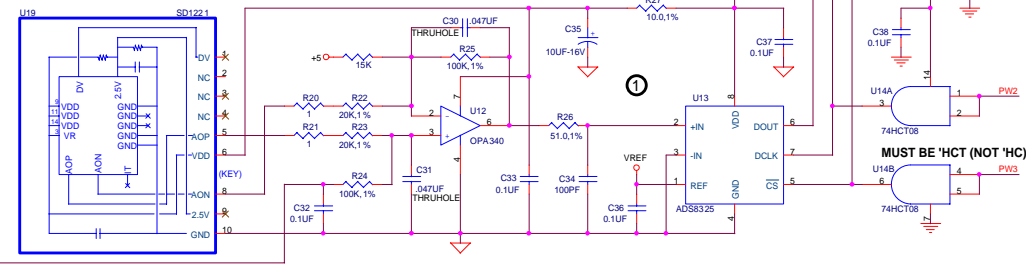
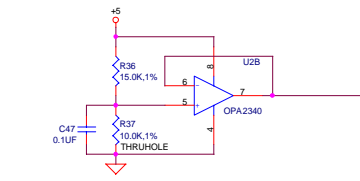
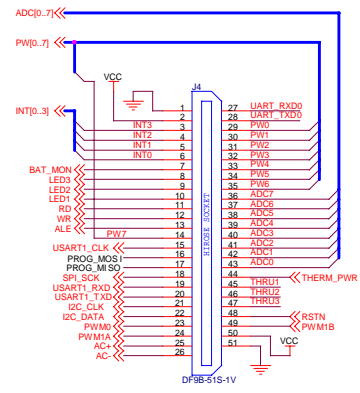
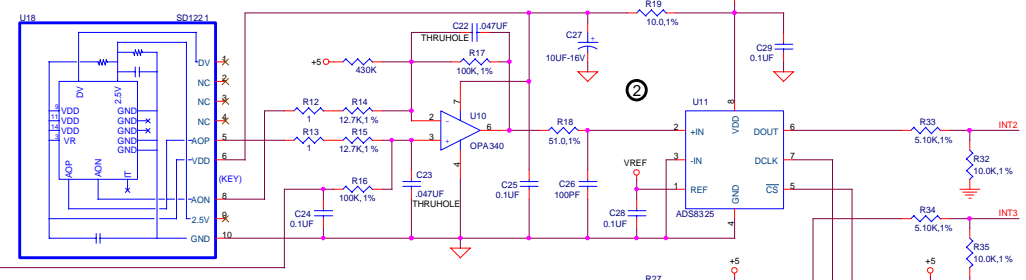
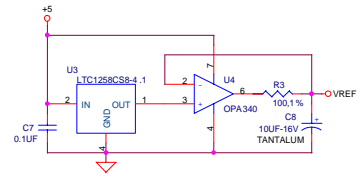
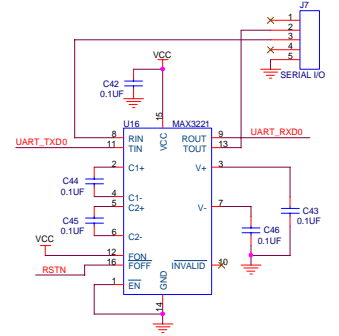
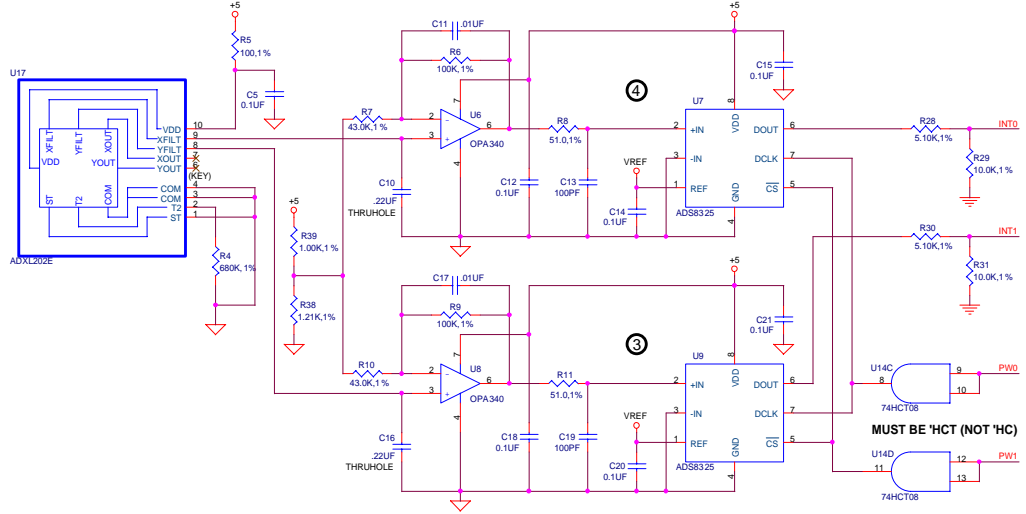
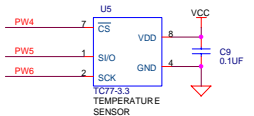
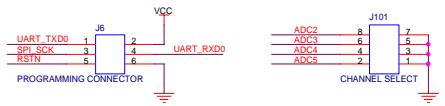
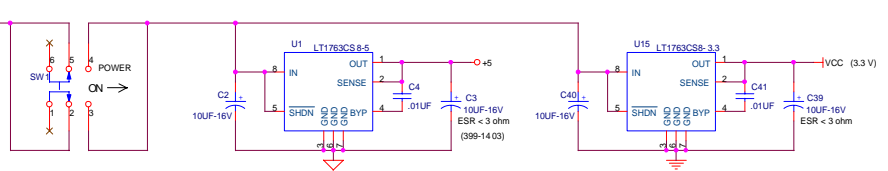


VIN can be between +6.0 and +12.0 volts



EECS - UC Berkeley			
GGB Accelerometer Test Board			
Size	Document Number	Rev	
	ACLTST12.DSN	1.2	
Date:	Saturday, December 13, 2003	Insert	1 of 1