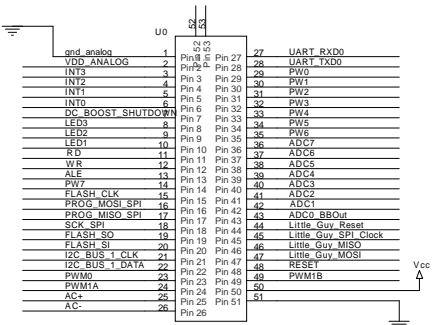
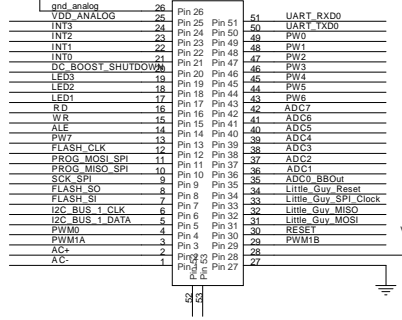


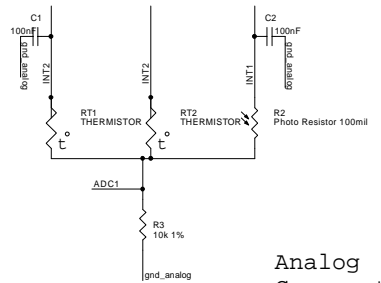
Connector (Top)



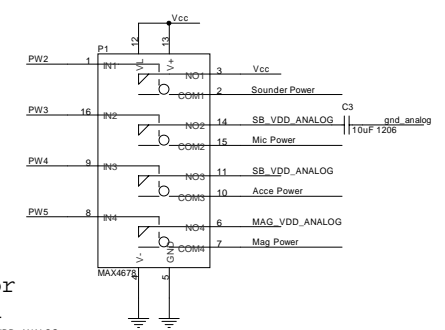
Connector to Mica (Bottom)



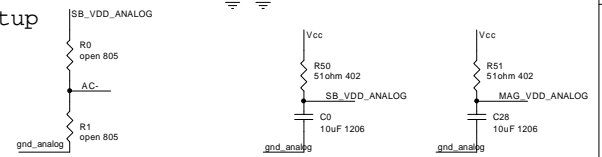
Temperature Light



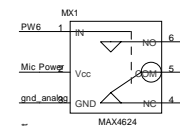
Power Switches



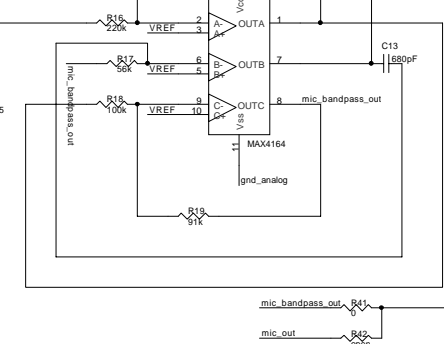
Analog Comparator Threshold Setup



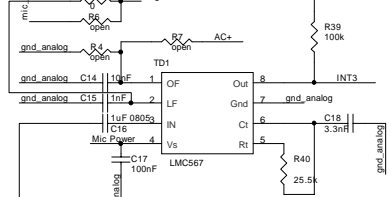
Mic Output Selector



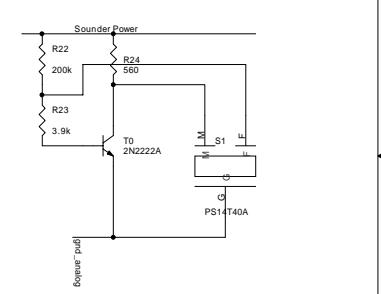
Biquad Active Filter



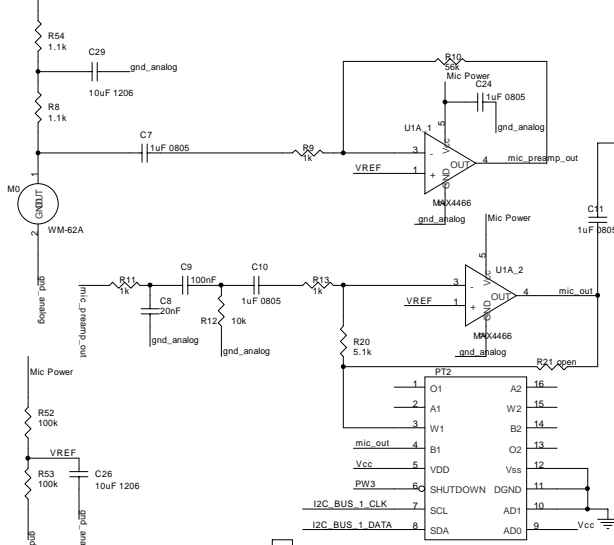
Tone Decoder



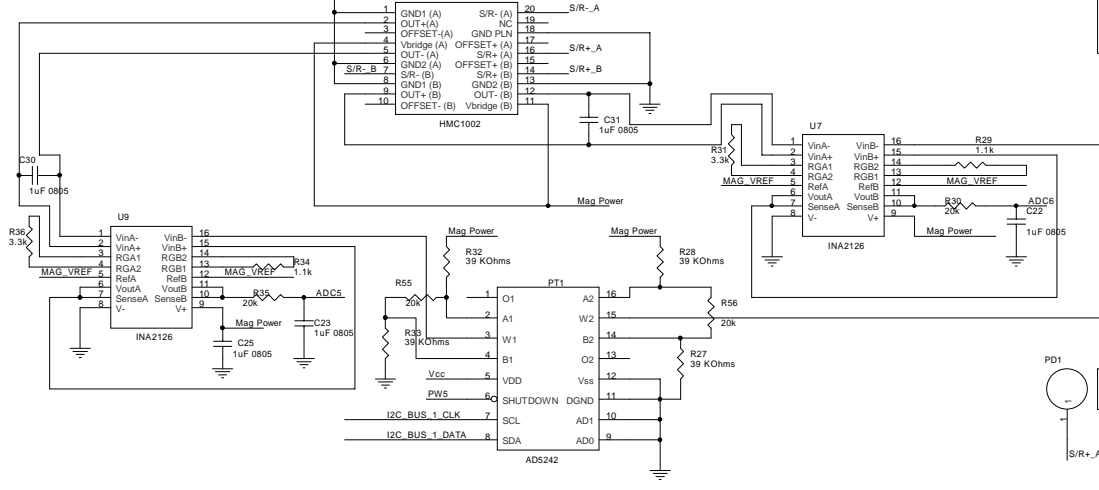
4kHz Sounder



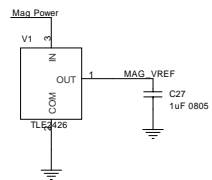
Microphone and Amplifier



Magnetometer



Magnetometer Virtual Ground



Mounting Holes



2 Axis Accelerometer

